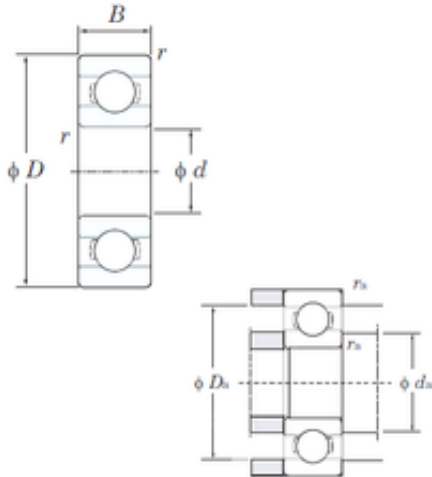




Guangzhou Wangli Auto Parts Co., Ltd.



High Precision Koyo/SKF/NTN Miniature Deep Groove Ball Bearing 608 2RS 608zz 609 2RS 609zz

Bearing No. 608

608 Bearing 2D drawings and 3D CAD models

Size	8x22x7 mm
Bore Diameter	8 mm
Outer Diameter	22 mm
Width	7 mm
d	8 mm
D	22 mm
B	7 mm
C	7 mm
r min.	0,3 mm
r1 min.	0,3 mm
da min.	10 mm
Da max.	20 mm
ra max.	0,3 mm
Weight	0,012 Kg
Basic dynamic load rating (C)	3,3 kN
Basic static load rating (C0)	1,35 kN
(Grease) Lubrication Speed	34000 r/min
(Oil) Lubrication Speed	41000 r/min
Category	Single Row Ball Bearings
Inventory	0.0
Manufacturer Name	KOYO
Minimum Buy Quantity	N/A
Weight / Kilogram	0
Product Group	B00308



Guangzhou Wangli Auto Parts Co., Ltd.

Enclosure	Open
Precision Class	ABEC 1 ISO P0
Maximum Capacity / Filling Slot	No
Rolling Element	Ball Bearing
Snap Ring	No
Internal Special Features	No
Cage Material	Steel
Internal Clearance	C0-Medium
Inch - Metric	Metric
Long Description	8MM Bore; 22MM Outside Diameter; 7MM Outer Race Width; Open; Ball Bearing; ABEC 1 ISO P0; No Filling Slot; No Snap Ring; No Internal Special Features; C0-Medium Internal Clearance; Steel Cage
Other Features	Deep Groove
Category	Single Row Ball Bearing
UNSPSC	31171504
Harmonized Tariff Code	8482.10.50.68
Noun	Bearing
Keyword String	Ball
Manufacturer URL	http://www.koyousa.com
Weight / LBS	0.0265
Outside Diameter	0.866 Inch 22 Millimeter
Outer Race Width	0.276 Inch 7 Millimeter
Inner Race Width	0 Inch 0 Millimeter
Bore	0.315 Inch 8 Millimeter
Bearing No.	608
r(min)	0.3
Cr	4.10
C0r	1.35
Cu	0.060



Guangzhou Wangli Auto Parts Co., Ltd.

f0	12.4
Grease lub.	34000
Oil lub.	41000
da(min)	10
Da(max)	20
ra(max)	0.3
(Refer.)Mass(g)	12