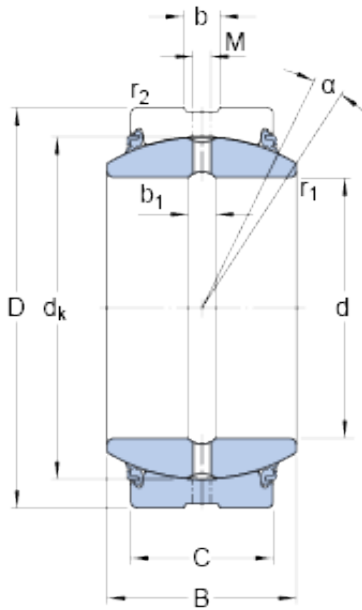




Guangzhou Wangli Auto Parts Co., Ltd.

50 mm x 75 mm x 35 mm SKF GE 50 ESX-2LS
plain bearings

Bearing No. GE 50 ESX-2LS



GE 50 ESX-2LS Bearing 2D drawings and 3D CAD models

Size	75x50x35 mm
Bore Diameter	75 mm
Outer Diameter	50 mm
Width	35 mm
d	50 mm
D	75 mm
B	35 mm
C	28 mm
	6 °
dk	66 mm
b	4.6 mm
b ₁	4.6 mm
M	3 mm
r ₁ - min.	0.6 mm
r ₂ - min.	1 mm
d _a - min.	54.6 mm
d _a - max.	56 mm
D _a - min.	66.2 mm
D _a - max.	70.5 mm
r _a - max.	0.6 mm
r _b - max.	1 mm
Basic dynamic load rating - C	236 kN
Basic static load rating - C ₀	780 kN
Specific factor dinamic load - K	150 N/mm ²



Guangzhou Wangli Auto Parts Co., Ltd.

Specific factor static load - K_0	500 N/mm ²
Constant - K_M	330
Lubricant	Maintenance free – greased for life
Design (sliding contact surface combination)	Steel/steel
Sealing solution	Triple-lip seals
	6 °
d_k	66 mm
b_1	4.6 mm
r_1 min.	0.6 mm
r_2 min.	1 mm
d_a min.	54.6 mm
d_a max.	56 mm
D_a min.	66.2 mm
D_a max.	70.5 mm
r_a max.	0.6 mm
r_b max.	1 mm
Basic dynamic load rating C	236 kN
Basic static load rating C_0	780 kN
Specific dynamic load factor K	150 N/mm ²
Specific static load factor K_0	500 N/mm ²
Material constant K_M	330
Mass plain bearing	0.56 kg