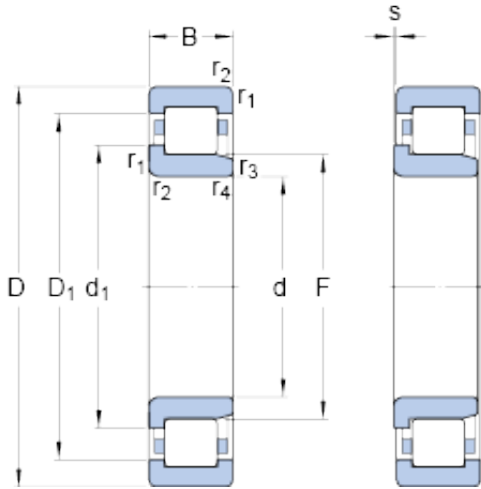




Guangzhou Wangli Auto Parts Co., Ltd.



105 mm x 190 mm x 36 mm SKF NJ 221 ECJ thrust ball bearings

Bearing No. NJ 221 ECJ

NJ 221 ECJ Bearing 2D drawings and 3D CAD models

Size	190x105x36 mm
Bore Diameter	190 mm
Outer Diameter	105 mm
Width	36 mm
d	105 mm
D	190 mm
B	36 mm
d ₁	134 mm
D ₁	164 mm
F	125 mm
r _{1,2} - min.	2.1 mm
r _{3,4} - min.	2.1 mm
s	2 mm
d _a - min.	117 mm
d _a - max.	122 mm
d _b - min.	137 mm
D _a - max.	177.3 mm
r _a - max.	2 mm
Basic dynamic load rating - C	300 kN
Basic static load rating - C ₀	315 kN
Fatigue load limit - P _u	36.5 kN
Reference speed	3800 r/min
Limiting speed	4300 r/min
Calculation factor - k _r	0.15



Guangzhou Wangli Auto Parts Co., Ltd.

d_1	134 mm
D_1	164.2 mm
$r_{1,2}$ min.	2.1 mm
$r_{3,4}$ min.	2.1 mm
s max.	2 mm
d_a min.	117 mm
d_a max.	122 mm
d_b min.	137 mm
D_a max.	177.3 mm
r_a max.	2 mm
Basic dynamic load rating C	300 kN
Basic static load rating C_0	315 kN
Fatigue load limit P_u	36.5 kN
Calculation factor k_r	0.15
Limiting value e	0.2
Axial load factor Y	0.6
Mass bearing	4 kg
Angle ring	HJ 221 EC