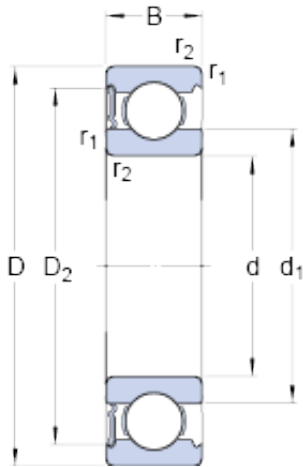




Guangzhou Wangli Auto Parts Co., Ltd.



6322-RS1 Bearing 2D drawings and 3D CAD models

110 mm x 240 mm x 50 mm SKF 6322-RS1 deep groove ball bearings

Bearing No. 6322-RS1

Size	240x110x50 mm
Bore Diameter	240 mm
Outer Diameter	110 mm
Width	50 mm
d	110 mm
D	240 mm
B	50 mm
d ₁	149.5 mm
D ₂	208.95 mm
r _{1,2} - min.	3 mm
d _a - min.	124 mm
d _a - max.	149 mm
D _a - max.	226 mm
r _a - max.	2.5 mm
Basic dynamic load rating - C	203 kN
Basic static load rating - C ₀	180 kN
Fatigue load limit - P _u	5.7 kN
Limiting speed	1800 r/min
Calculation factor - k _r	0.03
Calculation factor - f ₀	13