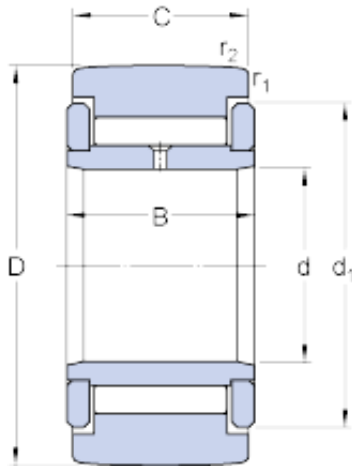




## Guangzhou Wangli Auto Parts Co., Ltd.



NATV 12 Bearing 2D drawings and 3D CAD models

### 12 mm x 32 mm x 15 mm SKF NATV 12 cylindrical roller bearings

Bearing No. NATV 12

Size	12x32x14 mm
Bore Diameter	12 mm
Outer Diameter	32 mm
Width	14 mm
D	32 mm
d	12 mm
C	14 mm
B	15 mm
d <sub>1</sub>	25 mm
r <sub>1,2</sub> - min.	0.6 mm
Basic dynamic load rating - C	9.4 kN
Basic static load rating - C <sub>0</sub>	15.3 kN
Fatigue load limit - P <sub>u</sub>	1.8 kN
Maximum static radial loads - F <sub>r</sub>	10.6 kN
Maximum static radial loads - F <sub>0r</sub>	15 kN
Limiting speed	3000 r/min
Category	Bearings
Inventory	0.0
Manufacturer Name	SKF
Minimum Buy Quantity	N/A
Weight / Kilogram	0.072
Product Group	B04144
d <sub>1</sub>	25 mm



## Guangzhou Wangli Auto Parts Co., Ltd.

$r_{1,2}$ min.	0.6 mm
Basic dynamic load rating C	9.35 kN
Basic static load rating $C_0$	15.3 kN
Fatigue load limit $P_u$	1.76 kN
Maximum dynamic radial loads $F_r$ max.	10.6 kN
Maximum static radial loads $F_{0r}$ max.	15 kN
Mass support roller	0.072 kg