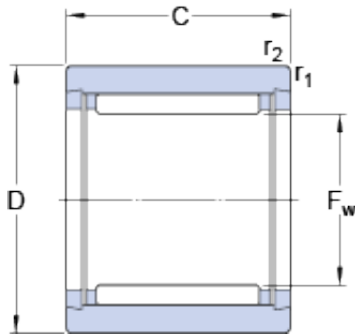




Guangzhou Wangli Auto Parts Co., Ltd.



SKF NK 8/12 TN cylindrical roller bearings

Bearing No. NK 8/12 TN

NK 8/12 TN Bearing 2D drawings and 3D CAD models

Size	15x8x12 mm
Bore Diameter	15 mm
Outer Diameter	8 mm
Width	12 mm
F_w	8 mm
D	15 mm
C	12 mm
$r_{1,2}$ - min.	0.3 mm
D_a - max.	13 mm
r_a - max.	0.3 mm
Basic dynamic load rating - C	3.8 kN
Basic static load rating - C_0	4.2 kN
Fatigue load limit - P_u	0.465 kN
Reference speed	32000 r/min
Limiting speed	36000 r/min
Mass bearing	0.0087 kg
Category	Roller Bearings
Inventory	0.0
Manufacturer Name	SKF
Minimum Buy Quantity	N/A
Weight / Kilogram	0.012
EAN	7316577012456
Product Group	B04144
bore diameter:	8 mm
dynamic load capacity:	3.8 kN



Guangzhou Wangli Auto Parts Co., Ltd.

outside diameter:	15 mm
static load capacity:	4.25 kN
overall width:	12 mm
maximum rpm:	36000 rpm
needle bearing type:	Machined Bearing with No Inner Ring
flanges:	No Flange
closure type:	Open
series:	NK
number of rows:	One
lubrication hole type:	No Hole
bearing material:	Steel
precision rating:	Not Rated
operating temperature range:	Maximum of +250 ° F ° F
manufacturer upc number:	7316577012456
cage material:	Steel
F_w	8 mm
$r_{1,2}$ min.	0.3 mm
D_a max.	13 mm
r_a max.	0.3 mm
Basic dynamic load rating C	3.8 kN
Basic static load rating C_0	4.25 kN
Fatigue load limit P_u	0.465 kN