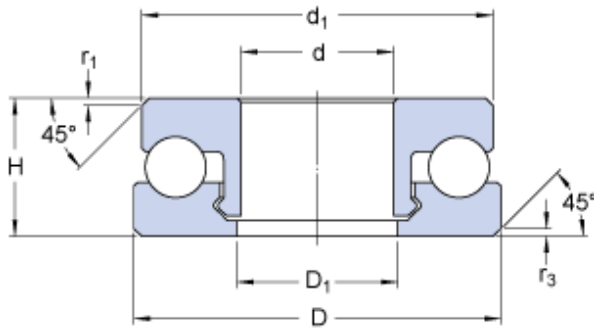




Guangzhou Wangli Auto Parts Co., Ltd.



SKF 51109 V/HR11Q1 thrust ball bearings

Bearing No. 51109 V/HR11Q1

Size	35x45x14 mm
Bore Diameter	35 mm
Outer Diameter	45 mm
Width	14 mm
d	45 mm
D	35 mm
H	14 mm
d ₁	64 mm
D ₁	21 mm
r ₁ - min.	1 mm
r ₃ - min.	1 mm
Basic dynamic load rating - C	1.2 kN
Basic static load rating - C ₀	0.95 kN
Limiting speed	360 r/min

51109 V/HR11Q1 Bearing 2D drawings and 3D CAD models