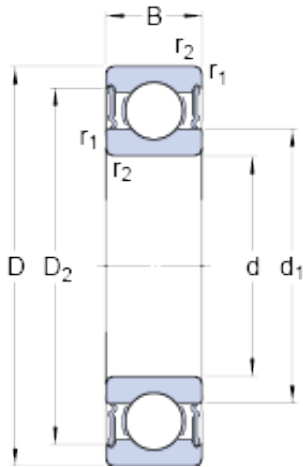




## Guangzhou Wangli Auto Parts Co., Ltd.



### 25 mm x 52 mm x 15 mm SKF W 6205-2RS1/VP311 deep groove ball bearings

Bearing No. W 6205-2RS1/VP311

W 6205-2RS1/VP311 Bearing 2D drawings and 3D CAD models

Size	52x25x15 mm
Bore Diameter	52 mm
Outer Diameter	25 mm
Width	15 mm
d	25 mm
D	52 mm
B	15 mm
d <sub>1</sub>	34 mm
D <sub>2</sub>	45.7 mm
r <sub>1,2</sub> - min.	1 mm
d <sub>a</sub> - min.	30 mm
d <sub>a</sub> - max.	33.5 mm
D <sub>a</sub> - max.	47 mm
r <sub>a</sub> - max.	1 mm
Basic dynamic load rating - C	11.7 kN
Basic static load rating - C <sub>0</sub>	7.6 kN
Fatigue load limit - P <sub>u</sub>	0.335 kN
Limiting speed	8500 r/min
Calculation factor - k <sub>r</sub>	0.03
Calculation factor - f <sub>0</sub>	13.8
Category	Single Row Ball Bearings
Inventory	0.0
Manufacturer Name	SKF
Minimum Buy Quantity	N/A



## Guangzhou Wangli Auto Parts Co., Ltd.

Weight / Kilogram	0.13
EAN	7316576034343
Product Group	B00308
Enclosure	2 Seals
Precision Class	ABEC 1   ISO P0
Maximum Capacity / Filling Slot	No
Rolling Element	Ball Bearing
Snap Ring	No
Internal Special Features	No
Cage Material	Stainless Steel
Enclosure Type	Contact Seal
Internal Clearance	C0-Medium
Inch - Metric	Metric
Long Description	25MM Bore; 52MM Outside Diameter; 15MM Outer Race Width; 2 Seals; Ball Bearing; ABEC 1   ISO P0; No Filling Slot; No Snap Ring; No Internal Special Features; C0-Medium Internal Clearance; Stainless St
Other Features	Deep Groove   NBR Seal   Non Toxic Grease Blue Contact Seal
Category	Single Row Ball Bearing
UNSPSC	31171504
Harmonized Tariff Code	8482.10.50.68
Noun	Bearing
Keyword String	Ball
Manufacturer URL	<a href="http://www.skf.com">http://www.skf.com</a>
Manufacturer Item Number	W 6205-2RS1/VP311
Weight / LBS	0.291
Outer Race Width	0.591 Inch   15 Millimeter
Inner Race Width	0 Inch   0 Millimeter



## Guangzhou Wangli Auto Parts Co., Ltd.

Outside Diameter	2.047 Inch   52 Millimeter
Bore	0.984 Inch   25 Millimeter
$d_1$	34 mm
$D_2$	45.72 mm
$r_{1,2}$ min.	1 mm
$d_a$ min.	30 mm
$d_a$ max.	33.5 mm
$D_a$ max.	47 mm
$r_a$ max.	1 mm
Basic dynamic load rating C	11.7 kN
Basic static load rating $C_0$	7.65 kN
Fatigue load limit $P_u$	0.335 kN
Calculation factor $k_r$	0.03
Calculation factor $f_0$	13.8
Mass bearing	0.13 kg