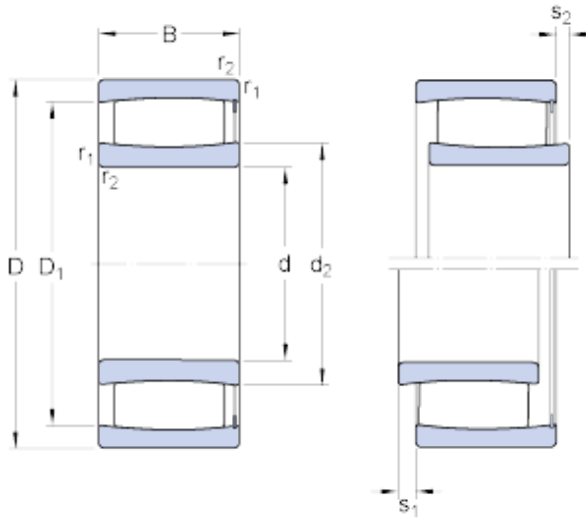




# Guangzhou Wangli Auto Parts Co., Ltd.



## 85 mm x 150 mm x 36 mm SKF C 2217 V cylindrical roller bearings

Bearing No. C 2217 V

C 2217 V Bearing 2D drawings and 3D CAD models

Size	150x85x36 mm
Bore Diameter	150 mm
Outer Diameter	85 mm
Width	36 mm
d	85 mm
D	150 mm
B	36 mm
d <sub>2</sub>	103 mm
D <sub>1</sub>	133 mm
s <sub>1</sub>	7.1 mm
s <sub>2</sub>	1.7 mm
r <sub>1,2</sub> - min.	2 mm
d <sub>a</sub> - min.	96 mm
d <sub>a</sub> - max.	120 mm
D <sub>a</sub> - max.	139 mm
r <sub>a</sub> - max.	2 mm
Basic dynamic load rating - C	315 kN
Basic static load rating - C <sub>0</sub>	390 kN
Fatigue load limit - P <sub>u</sub>	43 kN
Limiting speed	1800 r/min
Factor - k <sub>1</sub>	0.114
Factor - k <sub>2</sub>	0.105