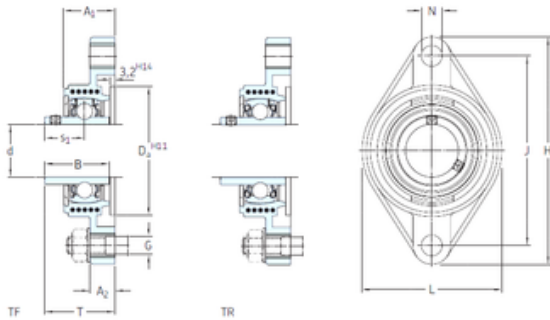




# Guangzhou Wangli Auto Parts Co., Ltd.

## SKF FYTBK 20 TR bearing units



Bearing No. FYTBK 20 TR

Bore Diameter	20 mm
d	20 mm
Da	50,8 mm
s1	18,3 mm
A1	29,5 mm
B	31 mm
G	10 mm
H	112 mm
J	90 mm
L	60,5 mm
N	12 mm
T	37,3 mm
A2	15 mm
Weight	0,24 Kg
Basic dynamic load rating (C)	12,7 kN
Basic static load rating (C0)	6,55 kN
Fatigue load limit (Pu)	0,28
Category	Bearings
Inventory	0.0
Manufacturer Name	SKF
Minimum Buy Quantity	N/A
Weight / Kilogram	0.245
EAN	7316570745207
Product Group	M06110
Housing material	Composite
D <sub>a</sub>	50.8 mm

FYTBK 20 TR Bearing 2D drawings and 3D CAD models



## Guangzhou Wangli Auto Parts Co., Ltd.

$D_b$	59 mm
A	29.5 mm
$A_1$	15 mm
$A_3$	3.2 mm
$A_5$	18.5 mm
$B_4$	4.5 mm
$s_1$	18.3 mm
Basic dynamic load rating C	12.7 kN
Basic static load rating $C_0$	6.55 kN
Fatigue load limit $P_u$	0.28 kN
Limiting speed	5000 r/min
Mass bearing unit	0.22 kg
Thread grub screw $G_2$	M6x0.75
Hexagonal key size for grub screw N	3 mm
Recommended tightening torque for grub screw	4 N · m
Recommended diameter for attachment bolts, mm G	10 mm
Recommended diameter for attachment bolts, inch G	0.375 in