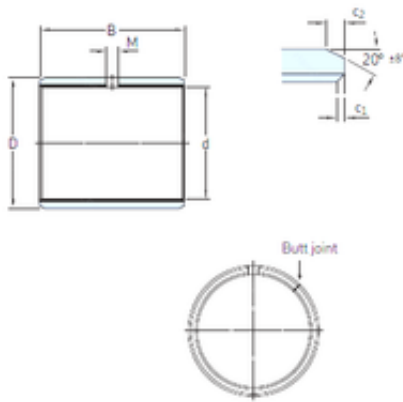




# Guangzhou Wangli Auto Parts Co., Ltd.

14,288 mm x 16,669 mm x 19,05 mm SKF PCZ 0912 E plain bearings



Bearing No. PCZ 0912 E

Size	14.288x16.669x19.05 mm
Bore Diameter	14,288 mm
Outer Diameter	16,669 mm
Width	19,05 mm
d	14,288 mm
D	16,669 mm
B	19,05 mm
c1 min	0,1 mm
c2 min	0,2 mm
M	– mm
Weight	0,0082 Kg
Basic dynamic load rating (C)	21,6 kN
c <sub>1</sub> min.	0.1 mm
c <sub>1</sub> max.	0.6 mm
c <sub>2</sub> min.	0.2 mm
c <sub>2</sub> max.	1 mm
± 8	20 °
Shaft diameter range min.	14.237 mm
Shaft diameter range max.	14.262 mm
Housing bore range min.	16.66 mm
Housing bore range max.	16.678 mm
Basic dynamic load rating - radial direction C	21.6 kN
Basic static load rating - radial direction C <sub>0</sub>	68 kN

PCZ 0912 E Bearing 2D drawings and 3D CAD models



## Guangzhou Wangli Auto Parts Co., Ltd.

Specific dynamic load factor $K$	80 N/mm <sup>2</sup>
Specific static load factor $K_0$	250 N/mm <sup>2</sup>
Factor depending on material and bearing type $K_M$	480
Permissible sliding velocity $v$ min.	0 m/s
Permissible sliding velocity $v$ max.	2 m/s
Coefficient of friction $\mu$ min.	0.03
Coefficient of friction $\mu$ max.	0.25
Mass bushing	0.0082 kg