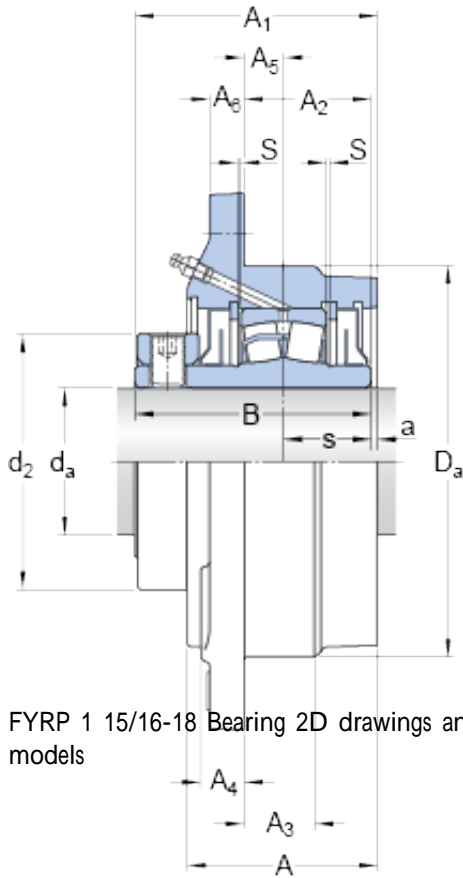




# Guangzhou Wangli Auto Parts Co., Ltd.

## SKF FYRP 1 15/16-18 bearing units

Bearing No. FYRP 1 15/16-18



FYRP 1 15/16-18 Bearing 2D drawings and 3D CAD models

Size	49.212x73.819x114.3 mm
Bore Diameter	49,212 mm
Outer Diameter	73,819 mm
Width	114,3 mm
$d_a$	49.212 mm
$d_2$	73.819 mm
$D_a$	114.3 mm
A	63.5 mm
$A_1$	79.375 mm
$A_2$	40.481 mm
$A_3$	22.225 mm
$A_4$	15.875 mm
$A_5$	15.875 mm
$A_6$	14.288 mm
B	73.025 mm
a	7.144 mm
J	136.525 mm
L	161.925 mm
$N_1$	12.7 mm
s	25.4 mm
S	0.794 mm
Basic dynamic load rating - C	84.5 kN
Limiting speed	5000 r/min
$d_a$	49.212 mm



## Guangzhou Wangli Auto Parts Co., Ltd.

$d_2$	73.819 mm
$D_a$	114.3 mm
$A_1$	79.375 mm
$A_2$	40.481 mm
$A_3$	22.225 mm
$A_4$	15.875 mm
$A_5$	15.875 mm
$A_6$	14.287 mm
$N_1$	12.7 mm
Basic dynamic load rating C	84.5 kN
Mass bearing unit	3.72 kg
Attachment bolt diameter G	11.113 mm