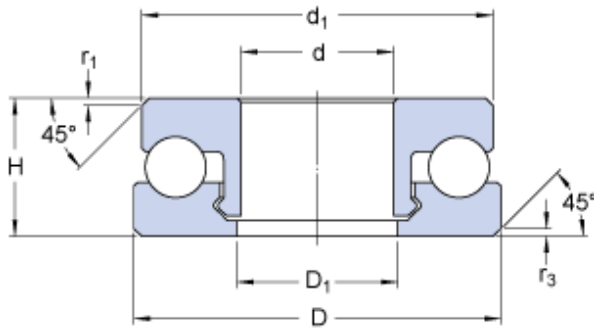




Guangzhou Wangli Auto Parts Co., Ltd.



SKF 51204 V/HR22T2 thrust ball bearings

Bearing No. 51204 V/HR22T2

Size	52x20x14 mm
Bore Diameter	52 mm
Outer Diameter	20 mm
Width	14 mm
d	20 mm
D	52 mm
H	14 mm
d ₁	39 mm
D ₁	36 mm
r ₁ - min.	0.5 mm
r ₃ - min.	0.5 mm
Basic dynamic load rating - C	0.75 kN
Basic static load rating - C ₀	0.6 kN
Limiting speed	420 r/min

51204 V/HR22T2 Bearing 2D drawings and 3D CAD models