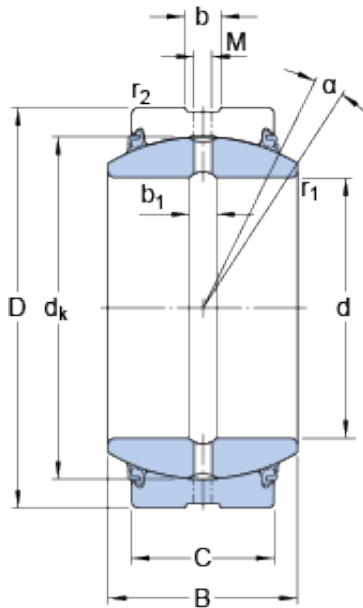




# Guangzhou Wangli Auto Parts Co., Ltd.

## 70 mm x 105 mm x 49 mm SKF GE 70 ES-2LS plain bearings

Bearing No. GE 70 ES-2LS



GE 70 ES-2LS Bearing 2D drawings and 3D CAD models

Size	105x70x49 mm
Bore Diameter	105 mm
Outer Diameter	70 mm
Width	49 mm
d	70 mm
D	105 mm
B	49 mm
C	40 mm
	6 °
dk	92 mm
b	7.7 mm
b <sub>1</sub>	7.7 mm
M	4 mm
r <sub>1</sub> - min.	1 mm
r <sub>2</sub> - min.	1 mm
d <sub>a</sub> - min.	76.7 mm
d <sub>a</sub> - max.	77.9 mm
D <sub>a</sub> - min.	92 mm
D <sub>a</sub> - max.	99 mm
r <sub>a</sub> - max.	1 mm
r <sub>b</sub> - max.	1 mm
Basic dynamic load rating - C	315 kN
Basic static load rating - C <sub>0</sub>	1560 kN
Specific factor dynamic load - K	100 N/mm <sup>2</sup>



## Guangzhou Wangli Auto Parts Co., Ltd.

Specific factor static load - $K_0$	500 N/mm <sup>2</sup>
Constant - $K_M$	330
Category	Spherical Plain Bearings - Radial
Inventory	0.0
Manufacturer Name	SKF
Minimum Buy Quantity	N/A
Weight / Kilogram	1.55
EAN	7316571782379
Product Group	B04264
Self Aligning	Yes
Rolling Element	Spherical Plain
Material - Outer Member	Steel
Material - Ball	Steel
Material - Liner	Not Applicable
Relubricatable	Yes
Enclosure	2 Seals
Other Features	2 Piece   Triple Lip Heavy Duty Seals   Lubrication Hole and an Annular Groove in Both Rings
Long Description	70MM Bore; 40MM Housing Width; 105MM Outside Diameter; Spherical Plain; Steel Outer Member; Steel Ball; No Liner; 49MM Overall Width; Relubricatable
Inch - Metric	Metric
Category	Plain Bearings Spherical Radial
UNSPSC	31171515
Harmonized Tariff Code	8483.30.80.70
Noun	Bearing



## Guangzhou Wangli Auto Parts Co., Ltd.

Keyword 3	Spherical
Keyword String	Plain Spherical Radial
Manufacturer URL	<a href="http://www.skf.com">http://www.skf.com</a>
Manufacturer Item Number	GE 70 ES-2LS
Weight / LBS	3.417
Overall Width	1.929 Inch   49 Millimeter
Outside Diameter	4.134 Inch   105 Millimeter
Bore	2.756 Inch   70 Millimeter
Housing Width	1.575 Inch   40 Millimeter
Lubricant	Regular relubrication – grease
Design (sliding contact surface combination)	Steel/steel
Sealing solution	Triple-lip seals
	6 °
$d_k$	92 mm
$b_1$	7.7 mm
$r_1$ min.	1 mm
$r_2$ min.	1 mm
$d_a$ min.	76.7 mm
$d_a$ max.	77.9 mm
$D_a$ min.	92 mm
$D_a$ max.	99 mm
$r_a$ max.	1 mm
$r_b$ max.	1 mm
Basic dynamic load rating C	315 kN
Basic static load rating $C_0$	1560 kN
Specific dynamic load factor K	100 N/mm <sup>2</sup>
Specific static load factor $K_0$	500 N/mm <sup>2</sup>
Material constant $K_M$	330
Mass plain bearing	1.55 kg