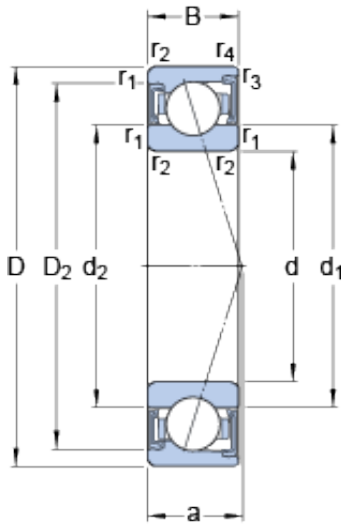




Guangzhou Wangli Auto Parts Co., Ltd.



95 mm x 130 mm x 18 mm SKF S71919 ACD/HCP4A angular contact ball bearings

Bearing No. S71919 ACD/HCP4A

S71919 ACD/HCP4A Bearing 2D drawings and 3D
CAD models

Size	130x95x18 mm
Bore Diameter	130 mm
Outer Diameter	95 mm
Width	18 mm
d	95 mm
D	130 mm
B	18 mm
d ₁	105.8 mm
d ₂	105.8 mm
D ₂	122.18 mm
r _{1,2} - min.	1.1 mm
r _{3,4} - min.	0.6 mm
a	35.3 mm
d _a - min.	101 mm
d _a - max.	105.2 mm
d _b - min.	101 mm
d _b - max.	105.2 mm
D _a - max.	124 mm
D _b - max.	126 mm
r _a - max.	1 mm
r _b - max.	0.6 mm
Basic dynamic load rating - C	46.2 kN
Basic static load rating - C ₀	52 kN
Fatigue load limit - P _u	2.1 kN



Guangzhou Wangli Auto Parts Co., Ltd.

Limiting speed for grease lubrication	9500 r/min
Ball - D_w	11.112 mm
Ball - z	28
Calculation factor - e	0.68
Calculation factor - Y_2	0.87
Calculation factor - Y_0	0.38
Calculation factor - X_2	0.41
Calculation factor - Y_1	0.92
Calculation factor - Y_2	1.41
Calculation factor - Y_0	0.76
Calculation factor - X_2	0.67
Preload class A - G_A	290 N
Preload class B - G_B	580 N
Preload class C - G_C	1160 N
Preload class D - G_D	2320 N
Calculation factor - f	1.26
Calculation factor - f_1	0.98
Calculation factor - f_{2A}	1
Calculation factor - f_{2B}	1.07
Calculation factor - f_{2C}	1.12
Calculation factor - f_{2D}	1.17
Calculation factor - f_{HC}	1.04
Preload class A	266 N/micron
Preload class B	350 N/micron
Preload class C	467 N/micron
Preload class D	639 N/micron
d_1	105.8 mm
d_2	105.8 mm
D_2	122.18 mm



Guangzhou Wangli Auto Parts Co., Ltd.

$r_{1,2}$ min.	1.1 mm
$r_{3,4}$ min.	0.6 mm
d_a min.	101 mm
d_a max.	105.2 mm
d_b min.	101 mm
d_b max.	105.2 mm
D_a max.	124 mm
D_b max.	126 mm
r_a max.	1 mm
r_b max.	0.6 mm
Basic dynamic load rating C	46.2 kN
Basic static load rating C_0	52 kN
Fatigue load limit P_u	2.08 kN
Attainable speed for grease lubrication	9500 r/min
Ball diameter D_w	11.112 mm
Number of balls z	28
Preload class A G_A	290 N
Static axial stiffness, preload class A	266 N/ μ m
Preload class B G_B	580 N
Static axial stiffness, preload class B	350 N/ μ m
Preload class C G_C	1160 N
Static axial stiffness, preload class C	467 N/ μ m
Preload class D G_D	2320 N
Static axial stiffness, preload class D	639 N/ μ m
Calculation factor f	1.26
Calculation factor f_1	0.98
Calculation factor f_{2A}	1
Calculation factor f_{2B}	1.07
Calculation factor f_{2C}	1.12



Guangzhou Wangli Auto Parts Co., Ltd.

Calculation factor f_{2D}	1.17
Calculation factor f_{HC}	1.04
Calculation factor e	0.68
Calculation factor (single, tandem) Y_2	0.87
Calculation factor (single, tandem) Y_0	0.38
Calculation factor (single, tandem) X_2	0.41
Calculation factor (back-to-back, face-to-face) Y_1	0.92
Calculation factor (back-to-back, face-to-face) Y_2	1.41
Calculation factor (back-to-back, face-to-face) Y_0	0.76
Calculation factor (back-to-back, face-to-face) X_2	0.67
Mass bearing	0.5 kg