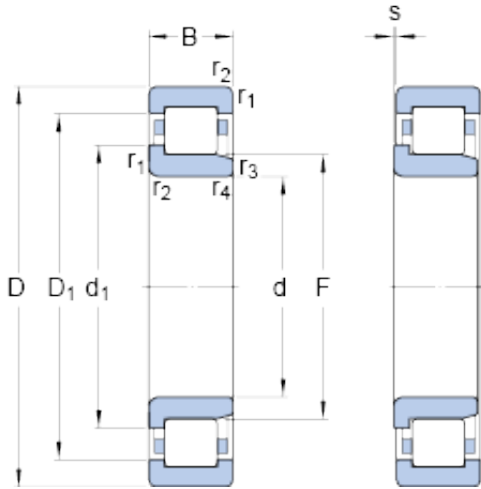




Guangzhou Wangli Auto Parts Co., Ltd.



110 mm x 240 mm x 80 mm SKF NJ 2322 ECP thrust ball bearings

Bearing No. NJ 2322 ECP

NJ 2322 ECP Bearing 2D drawings and 3D CAD models

Size	240x110x80 mm
Bore Diameter	240 mm
Outer Diameter	110 mm
Width	80 mm
d	110 mm
D	240 mm
B	80 mm
d ₁	155 mm
D ₁	200 mm
F	143 mm
r _{1,2} - min.	3 mm
r _{3,4} - min.	3 mm
s	7.5 mm
d _a - min.	124 mm
d _a - max.	139 mm
d _b - min.	159 mm
D _a - max.	225.2 mm
r _a - max.	2.5 mm
Basic dynamic load rating - C	780 kN
Basic static load rating - C ₀	900 kN
Fatigue load limit - P _u	102 kN
Reference speed	3000 r/min
Limiting speed	3400 r/min
Calculation factor - k _r	0.25



Guangzhou Wangli Auto Parts Co., Ltd.

d_1	155 mm
D_1	200.05 mm
$r_{1,2}$ min.	3 mm
$r_{3,4}$ min.	3 mm
s max.	7.5 mm
d_a min.	124 mm
d_a max.	139 mm
d_b min.	159 mm
D_a max.	225.2 mm
r_a max.	2.5 mm
Basic dynamic load rating C	780 kN
Basic static load rating C_0	900 kN
Fatigue load limit P_u	102 kN
Calculation factor k_r	0.25
Limiting value e	0.3
Axial load factor Y	0.4
Mass bearing	16.9 kg