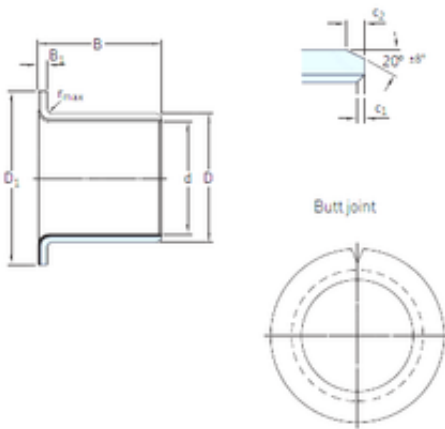




Guangzhou Wangli Auto Parts Co., Ltd.

14 mm x 16 mm x 17 mm SKF PCMF 141617 E
plain bearings



Bearing No. PCMF 141617 E

Size	14x16x17 mm
Bore Diameter	14 mm
Outer Diameter	16 mm
Width	17 mm
d	14 mm
D	16 mm
B	17 mm
c1 min	0,1 mm
c2 min	0,2 mm
r max	1 mm
B1	1 mm
D1	22 mm
Weight	0,0075 Kg
Dynamic load rating radial (C)	16,6 kN
Dynamic load rating axial (C)	10 kN
Static load rating radial (C0)	52 kN
Category	Plain Bearings
Inventory	0.0
Manufacturer Name	SKF
Minimum Buy Quantity	N/A
Weight / Kilogram	0.198
EAN	7316571886350
Product Group	B04264
D ₁	22 mm

PCMF 141617 E Bearing 2D drawings and 3D CAD models



Guangzhou Wangli Auto Parts Co., Ltd.

B_1	1 mm
c_1 min.	0.1 mm
c_1 max.	0.6 mm
c_2 min.	0.2 mm
c_2 max.	1 mm
± 8	20 °
r max.	1 mm
Tolerance shaft	f7
Tolerance housing	H7
Basic dynamic load rating - radial direction C	16.6 kN
Basic static load rating - radial direction C_0	52 kN
Basic dynamic load rating - axial direction C_a	10 kN
Basic static load rating - axial direction C_{0a}	31.5 kN
Specific dynamic load factor K	80 N/mm ²
Specific static load factor K_0	250 N/mm ²
Factor depending on material and bearing type K_M	480
Permissible sliding velocity v min.	0 m/s
Permissible sliding velocity v max.	2 m/s
Coefficient of friction μ min.	0.03
Coefficient of friction μ max.	0.25
Mass bushing	0.0075 kg