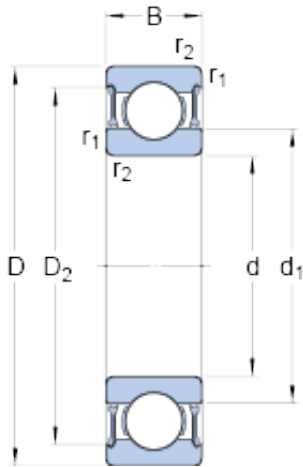




Guangzhou Wangli Auto Parts Co., Ltd.



35 mm x 47 mm x 7 mm SKF W 61807-2RZ deep groove ball bearings

Bearing No. W 61807-2RZ

W 61807-2RZ Bearing 2D drawings and 3D CAD models

Size	47x35x7 mm
Bore Diameter	47 mm
Outer Diameter	35 mm
Width	7 mm
d	35 mm
D	47 mm
B	7 mm
d ₁	38.21 mm
D ₂	43.69 mm
r _{1,2} - min.	0.3 mm
D _a - max.	45 mm
r _a - max.	0.3 mm
Basic dynamic load rating - C	3.7 kN
Basic static load rating - C ₀	3.4 kN
Fatigue load limit - P _u	0.14 kN
Reference speed	30000 r/min
Limiting speed	15000 r/min
Calculation factor - k _r	0.02
Calculation factor - f ₀	14.3
d ₁	38.21 mm
D ₂	43.69 mm
r _{1,2} min.	0.3 mm
d _a min.	37 mm
d _a max.	38 mm



Guangzhou Wangli Auto Parts Co., Ltd.

D_a max.	45 mm
r_a max.	0.3 mm
Basic dynamic load rating C	3.71 kN
Basic static load rating C_0	3.35 kN
Fatigue load limit P_u	0.14 kN
Calculation factor k_r	0.02
Calculation factor f_0	14.3
Mass bearing	0.03 kg