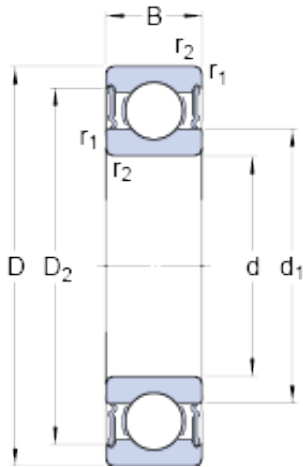




Guangzhou Wangli Auto Parts Co., Ltd.



6216-2RS1 Bearing 2D drawings and 3D CAD models

80 mm x 140 mm x 26 mm SKF 6216-2RS1 deep groove ball bearings

Bearing No. 6216-2RS1

Size	140x80x26 mm
Bore Diameter	140 mm
Outer Diameter	80 mm
Width	26 mm
d	80 mm
D	140 mm
B	26 mm
d ₁	101.4 mm
D ₂	126.5 mm
r _{1,2} - min.	2 mm
d _a - min.	91 mm
d _a - max.	100.9 mm
D _a - max.	129 mm
r _a - max.	2 mm
Basic dynamic load rating - C	72.8 kN
Basic static load rating - C ₀	55 kN
Fatigue load limit - P _u	2.2 kN
Limiting speed	3000 r/min
Calculation factor - k _r	0.025
Calculation factor - f ₀	15
Category	Single Row Ball Bearings
Inventory	0.0
Manufacturer Name	SKF
Minimum Buy Quantity	N/A



Guangzhou Wangli Auto Parts Co., Ltd.

Weight / Kilogram	1.51
EAN	7316577099952
Product Group	B00308
Enclosure	2 Seals
Precision Class	ABEC 1 ISO P0
Maximum Capacity / Filling Slot	No
Rolling Element	Ball Bearing
Snap Ring	No
Internal Special Features	No
Cage Material	Steel
Enclosure Type	Contact Seal
Internal Clearance	C0-Medium
Inch - Metric	Metric
Long Description	80MM Bore; 140MM Outside Diameter; 26MM Outer Race Diameter; 2 Seals; Ball Bearing; ABEC 1 ISO P0; No Filling Slot; No Snap Ring; No Internal Special Features
Category	Single Row Ball Bearing
UNSPSC	31171504
Harmonized Tariff Code	8482.10.50.68
Noun	Bearing
Keyword String	Ball
Manufacturer URL	http://www.skf.com
Manufacturer Item Number	6216-2RS1
Weight / LBS	3.33
Outer Race Width	1.024 Inch 26 Millimeter
Bore	3.15 Inch 80 Millimeter
Outside Diameter	5.512 Inch 140 Millimeter
d ₁	101.4 mm
D ₂	126.5 mm



Guangzhou Wangli Auto Parts Co., Ltd.

$r_{1,2}$ min.	2 mm
d_a min.	91 mm
d_a max.	100.9 mm
D_a max.	129 mm
r_a max.	2 mm
Basic dynamic load rating C	72.8 kN
Basic static load rating C_0	55 kN
Fatigue load limit P_u	2.2 kN
Calculation factor k_r	0.025
Calculation factor f_0	15
Mass bearing	1.51 kg