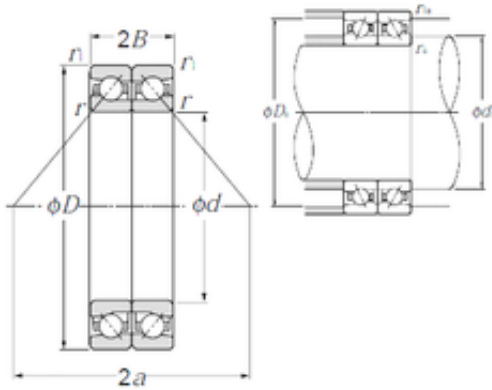




Guangzhou Wangli Auto Parts Co., Ltd.

170 mm x 230 mm x 27 mm NTN HTA934DB
angular contact ball bearings



Bearing No. HTA934DB

Size	170x230x27 mm
Bore Diameter	170 mm
Outer Diameter	230 mm
Width	27 mm
d	170 mm
D	230 mm
B	27 mm
C	27 mm
ra1 max.	1 mm
r min.	2 mm
r1 min.	1 mm
2B	54 mm
da min.	184 mm
Da max.	222,5 mm
ra max.	2 mm
Weight	6 Kg
Basic dynamic load rating (C)	99,5 kN
Basic static load rating (C0)	298 kN
(Grease) Lubrication Speed	2 700 r/min

HTA934DB Bearing 2D drawings and 3D CAD models