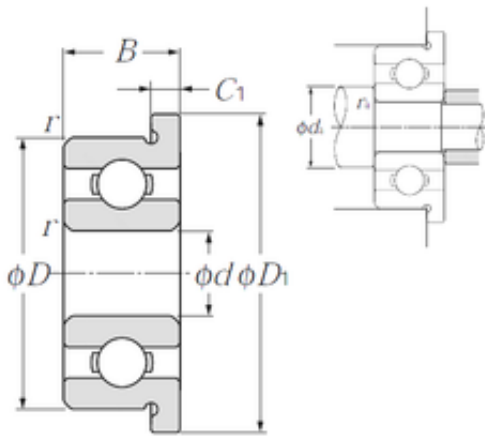




## Guangzhou Wangli Auto Parts Co., Ltd.



6,35 mm x 12,7 mm x 3,175 mm NTN FLR188  
deep groove ball bearings

Bearing No. FLR188

Size	6.35x13.89x3.175 mm
Bore Diameter	6,35 mm
Outer Diameter	13,89 mm
Width	3,175 mm
d	6,35 mm
D	12,7 mm
D1	13,89 mm
B	3,175 mm
C	3,175 mm
r min.	0,13 mm
C1	0,58 mm
da min.	7,2 mm
da max	8,2 mm
Da max.	11,8 mm
ra max.	0,1 mm
Weight	1,7 Kg
Basic dynamic load rating (C)	0,83 kN
Basic static load rating (C0)	0,37 kN
(Grease) Lubrication Speed	39000 r/min
(Oil) Lubrication Speed	46000 r/min

FLR188 Bearing 2D drawings and 3D CAD models