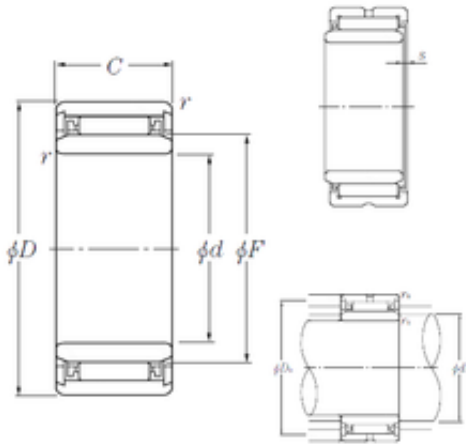




Guangzhou Wangli Auto Parts Co., Ltd.



7 mm x 17 mm x 16 mm NTN NK10/16+IR7 × 10 × 16 needle roller bearings

Bearing No. NK10/16+IR7 × 10 × 16

Size	7x17x16 mm
Bore Diameter	7 mm
Outer Diameter	17 mm
Width	16 mm
d	7 mm
F	10 mm
D	17 mm
B	16 mm
C	16 mm
r min.	0,3 mm
s	2 mm
da min.	9 mm
Da max.	11,5 mm
ra max.	0,3 mm
Weight	0,018 Kg
Basic dynamic load rating (C)	5,45 kN
Basic static load rating (C0)	6,45 kN
(Grease) Lubrication Speed	19 000 r/min

NK10/16+IR7 × 10 × 16 Bearing 2D drawings and 3D CAD models