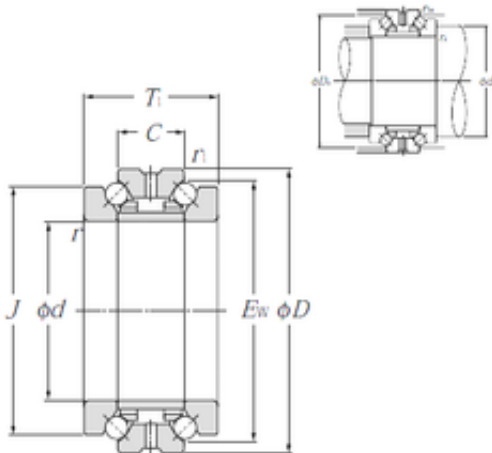




Guangzhou Wangli Auto Parts Co., Ltd.

NTN 562028 thrust ball bearings

Bearing No. 562028



562028 Bearing 2D drawings and 3D CAD models

Bore Diameter	140 mm
Outer Diameter	192 mm
d	140 mm
D	210 mm
Ew	192 mm
T1	84 mm
C	42 mm
ra1 max.	1 mm
r min.	2 mm
r1 min.	1 mm
J	187 mm
da min.	165 mm
Da max.	202 mm
ra max.	2 mm
Weight	9,1 Kg
Basic dynamic load rating (C)	144 kN
Basic static load rating (C0)	495 kN
(Grease) Lubrication Speed	2 000 r/min