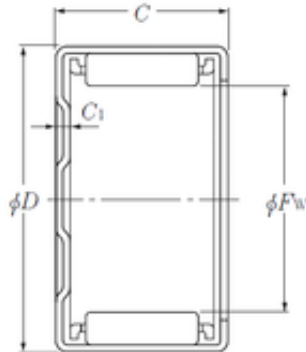




Guangzhou Wangli Auto Parts Co., Ltd.

NTN BK3020 needle roller bearings



Bearing No. BK3020

Size	30x37x20 mm
Bore Diameter	30 mm
Outer Diameter	37 mm
Width	20 mm
Fw	30 mm
D	37 mm
C	20 mm
C1	2,7 mm
Weight	0,047 Kg
Basic dynamic load rating (C)	22,3 kN
Basic static load rating (C0)	39,5 kN
(Grease) Lubrication Speed	5 500 r/min
Dw	2.5 mm
Lw	15.3 mm
Lubrication hole on outer ring	Non/No
Inner ring reference	IR25X30X20.5
Mass	0.05 kg
Cr	22.3 kN
C0r	39.5 kN
Nlim (grease)	5,500 rpm
Nlim (oil)	8,000 rpm
Min operating temperature, Tmin	-20 ° C
Max operating temperature, Tmax	120 ° C

BK3020 Bearing 2D drawings and 3D CAD models



Guangzhou Wangli Auto Parts Co., Ltd.

Characteristic cage frequency, FTF	0.46 Hz
Characteristic rolling element frequency, BSF	12.92 Hz
Characteristic outer ring frequency, BPF0	12 Hz
Characteristic inner ring frequency, BRFI	14 Hz
Category	Bearings
Inventory	0.0
Manufacturer Name	NTN
Minimum Buy Quantity	N/A
Weight / Kilogram	0.051
Product Group	B04144