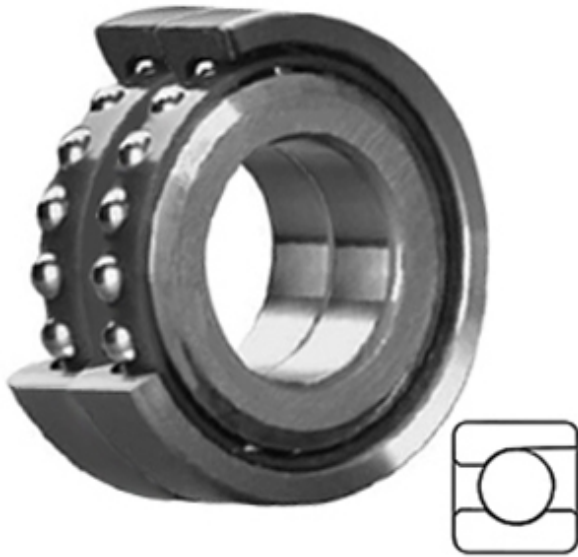




Guangzhou Wangli Auto Parts Co., Ltd.



100BAR10STYNDBLP4A Bearing 2D drawings and 3D CAD models

100BAR10STYNDBLP4A NSK Super Precision Bearings

Bearing No. 100BAR10STYNDBLP4A

| | |
|----------------------|--|
| Category | Precision Ball Bearings |
| Inventory | 0.0 |
| Manufacturer Name | NSK |
| Minimum Buy Quantity | N/A |
| Weight | 2.7 |
| Product Group | B04270 |
| Enclosure | Open |
| Precision Class | ABEC 7 ISO P4 |
| Material - Ball | Steel |
| Number of Bearings | 2 (1 Pair) |
| Contact Angle | 30 Degree |
| Preload | Light |
| Raceway Style | 1 Rib Outer Ring |
| Cage Material | Polyamide |
| Rolling Element | Ball Bearing |
| Mounting Arrangement | Duplex-Back to Back |
| Flush Ground | Yes |
| Inch - Metric | Metric |
| Other Features | Single Row Angular Contact Thrust Bearing High Speed ISO 4 Expect OD |
| Long Description | 100MM Bore; 150MM Outside Diameter; 45MM Width; Open Enclosure; ABEC 7 ISO P4 Precision; Steel Ball Material; 2 (1 Pair) Bearings; 30 Degree Contact |



Guangzhou Wangli Auto Parts Co., Ltd.

| | |
|--------------------------|---|
| | Angle; Polyamide Cage Material; 1 Rib Outer Ring |
| Category | Precision Ball Bearings |
| UNSPSC | 31171531 |
| Harmonized Tariff Code | 8482.10.50.28 |
| Noun | Bearing |
| Keyword String | Angular Contact Ball |
| Manufacturer URL | http://www.nskamericas.com |
| Manufacturer Item Number | 100BAR10STYNDBLP4A |
| Weight / LBS | 5.952 |
| D | 5.906 Inch 150 Millimeter |
| d | 3.937 Inch 100 Millimeter |
| B | 1.772 Inch 45 Millimeter |